

Product data sheet

Characteristics

MGP36800

Circuit Breaker, PowerPact M, electronic trip, unit mount, 800A, 3 pole, 18 kA, 600 VAC, lugs off end



Product availability: Stock - Normally stocked in distribution facility

Price*: 9927.00 USD



Main

Product or component type	Circuit breaker
---------------------------	-----------------

Complementary

Line Rated Current	800 A
Poles description	3P
Breaking capacity code	G
Magnetic tripping current	1600...8000 A
Electrical connection	Lugs load Terminal nut line
Terminal identifier	AL800M23K
Tightening torque	442.54 Lbf.In (50 N.m) 0.15...0.37 in ² (95...240 mm ²) (AWG 3/0...500 kcmil)
Height	12.86 In (326.6 mm)
Width	0.32 In (8.06 mm)
Depth	8.27 In (210 mm)
Continuous current rating	80 %

Ordering and shipping details

Category	01205 - MG, MJ UNIT MOUNT BREAKER
Discount Schedule	DE2
GTIN	00785901502494
Nbr. of units in pkg.	1
Package weight(Lbs)	1 Lb(US) (0.45 kg)
Returnability	No
Country of origin	US

The information provided in this documentation contains general descriptions and/or technical characteristics of the performance of the products contained herein. This documentation is not intended as a substitute for and is not to be used for determining suitability or reliability of these products for specific user applications. It is the duty of any such user or integrator to perform the appropriate and complete risk analysis, evaluation and testing of the products with respect to the relevant specific application or use thereof. Neither Schneider Electric Industries SAS nor any of its affiliates or subsidiaries shall be responsible or liable for misuse of the information contained herein. *Prices are indicative

Packing Units

Unit Type of Package 1	PCE
Package 1 Height	10.50 In (26.67 cm)
Package 1 width	12.00 In (30.48 cm)
Package 1 Length	18.30 In (46.482 cm)

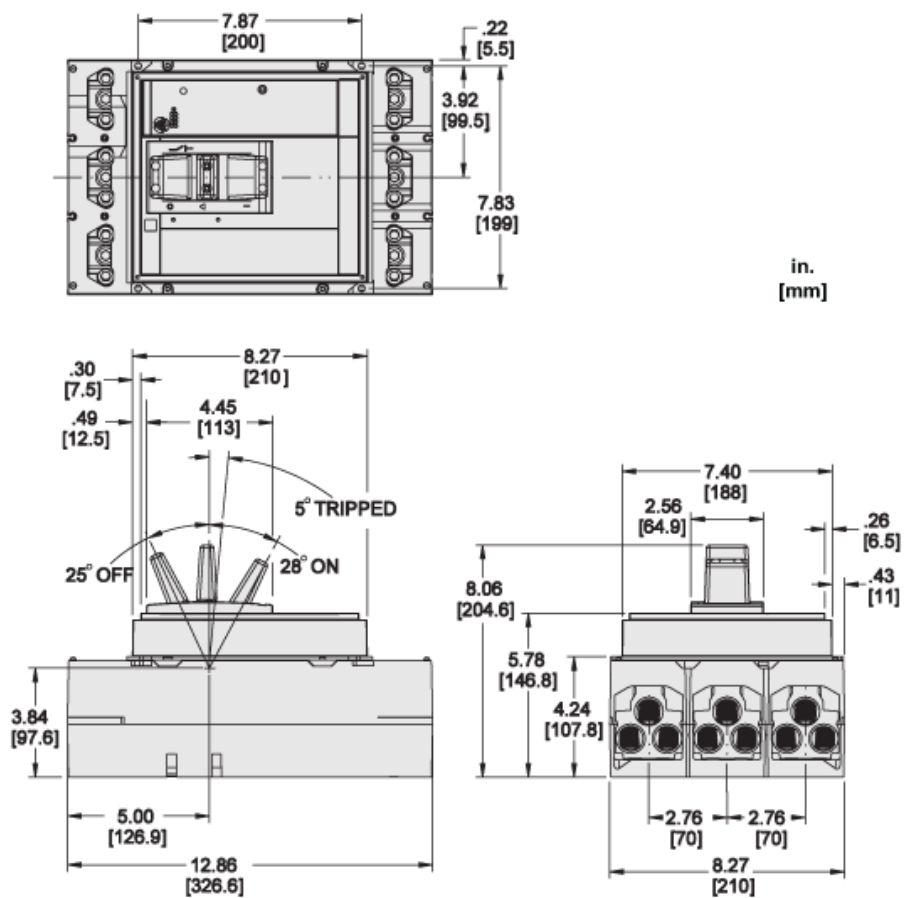
Offer Sustainability

Sustainable offer status	Green Premium product
California proposition 65	WARNING: This product can expose you to chemicals including: DIN-P, which is known to the State of California to cause cancer, and DID-P, which is known to the State of California to cause birth defects or other reproductive harm. For more information go to www.P65Warnings.ca.gov
REACH Regulation	REACH Declaration
EU RoHS Directive	Compliant EU RoHS Declaration
Mercury free	Yes
RoHS exemption information	Yes
China RoHS Regulation	China RoHS Declaration
Environmental Disclosure	Product Environmental Profile
Circularity Profile	End Of Life Information
PVC free	Yes

Contractual warranty

Warranty	18 months
----------	-----------

Approximate Dimensions



Product Life Status : Commercialised